

Univerzalni trofazni SP regulator punjenja akumulatora za motocikle

14V-3FHVSP-30A-AX-K-LI



Karakteristike: **Reducirano zagrijavanje regulatora i statorskog namotaja !**

Temperaturna zaštita: automatsko isključenje ako je zagrijan preko 70 st. Celzija

Regulacija napona: 14,5V/14,7VDC

LED indikator: gasi se kada postigne zadani napon

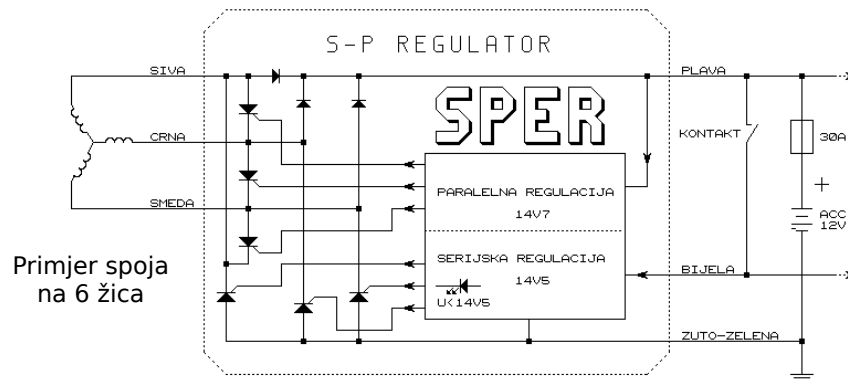
Zaštita od prenapona na izlazu: kod $U_{iz} > 40VDC$ u tisućinki sekunde

Struja: 15A/30A kod pri $v=5m/s$

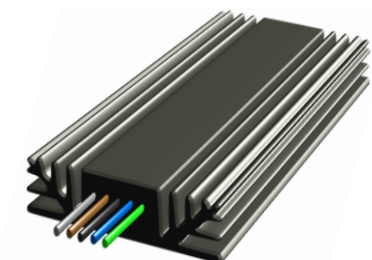
Ulazni AC napon: 15..200VAC (na 260VAC se aktivira zaštita)

Moguće ga je spojiti na 5, 6, 7 i 8 žica umjesto originalnog reglera

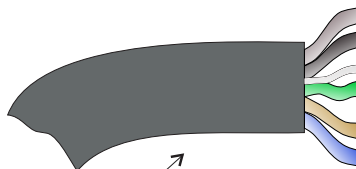
Garancija: 4 godine Cijena: 700,00kn (10% popusta na više komada)



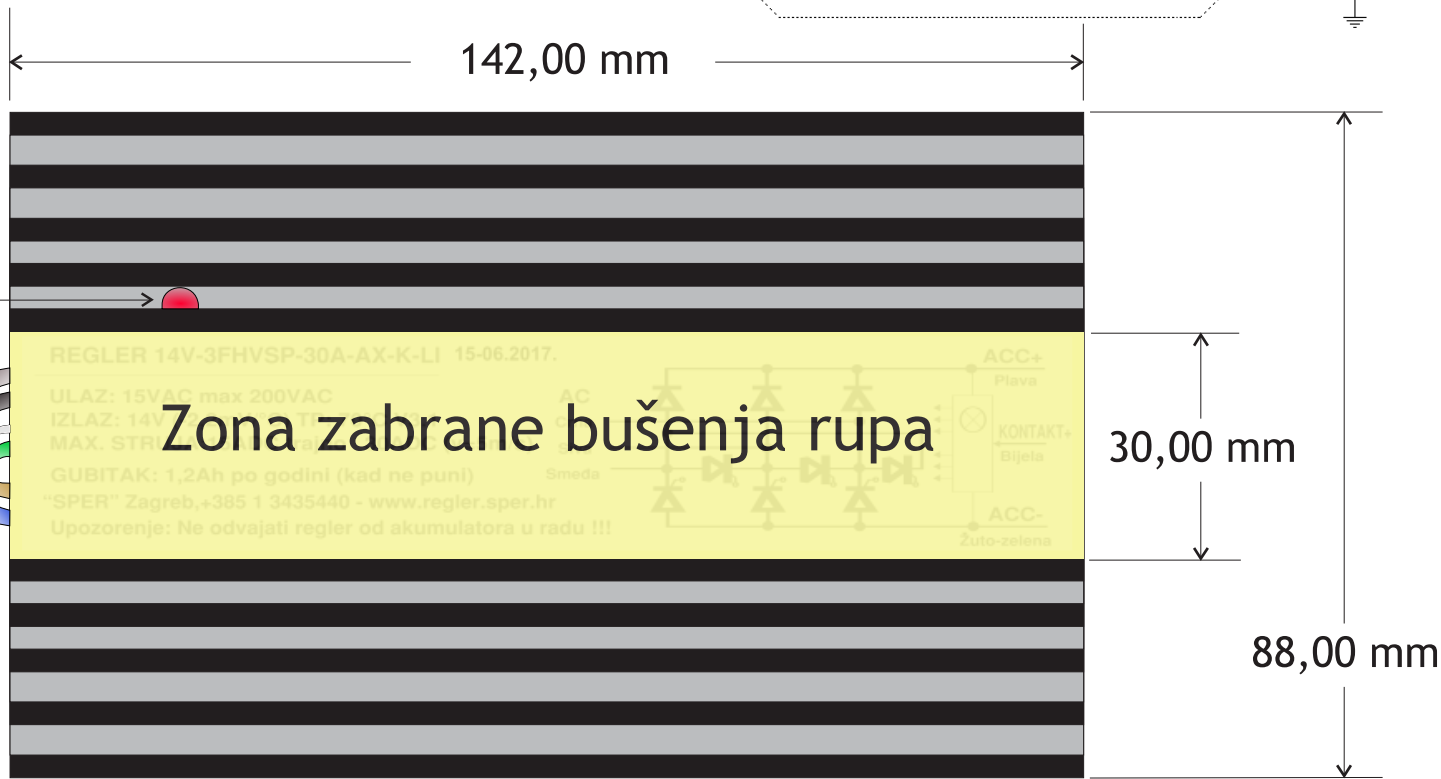
Primjer spoja na 6 žica



LED indikator



KABEL PROMJERA 12mm
Dužina: 85cm
Bez konektora!



visina: 25mm

M 1:1

Regler (14V-3FHVSP-30A-AX) se koristi kao zamjena na slijedećim motociklima (#n = broj ugradnji):

Acces Apollo 300 quad #2	Honda CBR600 RR #2	Kawasaki 750	Suzuki GSXR600 2006. #2
Acces 400 quad	Honda CBR F600	Kymco Venox 250	Suzuki GSXR600 #3
Acces 450 quad #3	Honda CBR900 RR 2003 #4	Kymco 300 downtow	Suzuki GSXR600 K4 2004.
Adly 280	Honda CBR900 RR 1996 #3	Kymco 500 skuter	Suzuki GSXR600 SRAD #8
Adly 300XS quad #7	Honda CBR900 RR 1997 #3	Kineski quad 280ccm	Suzuki GSXR750 #4
Adly 320AU quad #8	Honda CBR900 1997	KTM STM990 2009.	Suzuki GSXR750 1998.
Adly 500 quad	Honda CBR900 1998	KTM 990	Suzuki GSXR1000
Agon 750 quad	Honda CBR900 2003	Malaguti Madison	Suzuki Intruder 750
Aprilia 1000	Honda CBR900 #2	Malaguti Madison RS250	Suzuki Intruder 1400
Aprilia Caponord 900	Honda CBR919 1999.	Malaguti Madison 400	Suzuki Intruder VL1500
Aprilia Caponord ETV1000 (ispod sjedala !)#19	Honda CBR919 RR 1999.	Mercury 90KS 4T vanbrodski	Suzuki Intruder VS1400 #2
Aprilia Futura 1000 #2	Honda CBR929	Peugeot Jet Force 125	Suzuki Intruder V1800
Aprilia Mile 1000 2002.	Honda CBR954 2003	Peugeot Geopolis 250 IE (Quasar 250 IE)	Suzuki LTZ450 quad #2
Aprilia Mile 1000 2004.	Honda CBR1000 2005. #2	Piaggio X7 250IE	Suzuki Marauder VZ800 #2
Aprilia RVS1000R 2005.	Honda CBR1000RR	Piaggio X8 150 (skuter)	Suzuki SV650 #3
Aprilia Scarabeo 250	Honda CBR1100	Piaggio X8 250IE (skuter) 2006. #7	Suzuki Vstrom 1000
Aprilia Scarabeo 250ie	Honda CBR1100XX #2	Piaggio X8 400 (skuter) #2	Suzuki Vstrom DL1000
Aprilia Scarabeo 500	Honda Goldwing 1100	Piaggio X9 250 (skuter) #2	Suzuki VS800 Intruder
Aprilia Sportcity 250 #5	Honda GSXR600 2001.	Piaggio Beverly 250 (skuter) #8	TGB Access Apollo 250 (quad)
Aprilia Sportcity 250IE	Honda Hornet 600 #3	Piaggio Beverly 250ie (skuter) #9	TGB Blade 250 (quad) #5
Aprilia Tuono 1000 #3	Honda Hornet 600F 1998. #2	Piaggio Beverly 400 (skuter) #4	TGB Blade 425 (quad) #6
Bombardier DS650 Baja quad	Honda Transalp XL600 #3	Piaggio Beverly 400ie (skuter)	TGB Blade 525 (quad) #4
Buell Firebolt XB12R	Honda Transalp 650	Piaggio Beverly 500 (skuter) #15!	TGB X-Motion 250 (skuter) #9
Can-am DSX650	Honda Varadero XL1000 #2	Piaggio EVO300 (skuter)	Triump Deitona 675 #2
CF MOTO sharm 150 #3	Honda Varadero XL1100 1999.	Piaggio Sportcity 250ie #2	Triump speed triple 955i
CF MOTO Esharm 150 #3	Honda Varadero XLV1100 1999.	Piaggio XEVO400	Triumph spider 1050
CF MOTO Esharm 150E #2	Honda VFR250	Polaris Sportsman 570 #3	Yamaha F100 (vanbrodski)
CF MOTO Esharm 150EFI	Honda VFR750 #6	Polaris Sportsman 850 #3	Yamaha 100KS (100° C vanbrodski)#2
CF MOTO 500A kineski quad	Honda VFR750F	Polaris 900	Yamaha FZR600
Ducati Monster 520	Honda VFR800 #12	Polaris Scrambler XP1000	Yamaha grizli 300 quad #2
Ducati Monster 696 2008.	Honda VFR800 2006.	SMC Jumbo 301 quad	Yamaha R6
Gilera GP800	Honda VTR1000FW 1998.	Strittrace 450 quad #3	Yamaha Tenere XTZ750
Gilera 250 skuter	Honda XRV750 Africa Twin #11	Suzuki Burgman 400 #3	Yamaha TDM 850 3VD 1993.
Gilera 250IE skuter	Hyosung 250 #2	Suzuki Burgman 650	Yamaha TDM 850 #2
Gilera 500 skuter	Hyosung Comet GT650	Suzuki DL650 V Strom #2	Yamaha XTZ750
Gilera Nexus 500 skuter #4	Hyosung GT650R #2	Suzuki 650 V Strom 2010.	Yamaha XVS1100 drag star #5
Harley V-Rod 1250	Hyosung HV650	Suzuki DL1000 V Strom #3	Yamaha YFM350R raptor quad #2
Hisun ATV350 quad	Hyosung Aquila GV650 #7- direktno na ACC!	Suzuki DRZ400	Yamaha YZFR1 #4
Honda CB500 1997 #2	Hyosung Aquila GV650FI 2008.	Suzuki GRSR600 K4	Yamaha YZFR1 2009.
Honda CBF1000A	Kawasaki 454 LTD	Suzuki GS500E	Yamaha YZFR6 #2
Honda CBF1000 ST(FA) 2010	Kawasaki GPZ 500S	Suzuki GS750 1988.	
Honda CBR600 1996. #3	Kawasaki GPZ 500S 2002.	Suzuki GS8550E 1983.	
Honda CBR600F 1996. #2	Kawasaki GPZ 650 (teška ugradnja!)	Suzuki GSF400 Bandit	
Honda CBR600F 1998. #5	Kawasaki KLE 500 #15; K-#39	Suzuki GSR650	
Honda CBR600F 2000.	Kawasaki VN1500	Suzuki GSX550ES	
Honda CBR600F 2002. #2	Kawasaki Z750	Suzuki GSX900 +	
Honda CBR600FR 1991.	Kawasaki ZX10 ninja	Suzuki GSX1100 ES (/EF) 1983..1985	

Univerzalni trofazni SP regulator punjenja akumulatora za motocikle



14V-3FHVSP-30A-BX-K-LI

Karakteristike: **Reducirano zagrijavanje regulatora i statorskog namotaja !**

Temperaturna zaštita: automatsko isključenje ako je zagrijan preko 70 st. Celzija

Regulacija napona: 14,5V/14,7VDC

LED indikator: gasi se kada postigne zadani napon

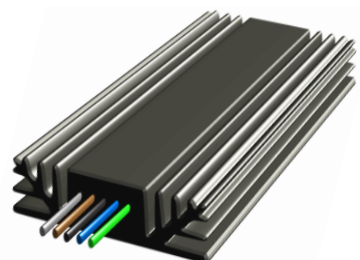
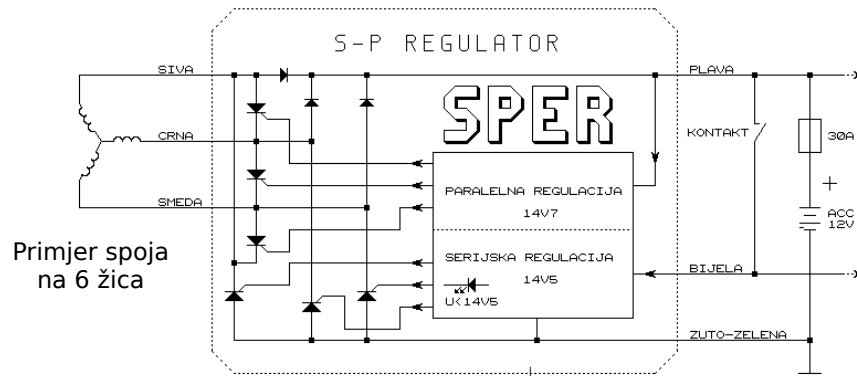
Zaštita od prenapona na izlazu: kod $U_{iz} > 25VDC$ u tisućinki sekunde

Struja: 15A/30A kod pri $v=5m/s$

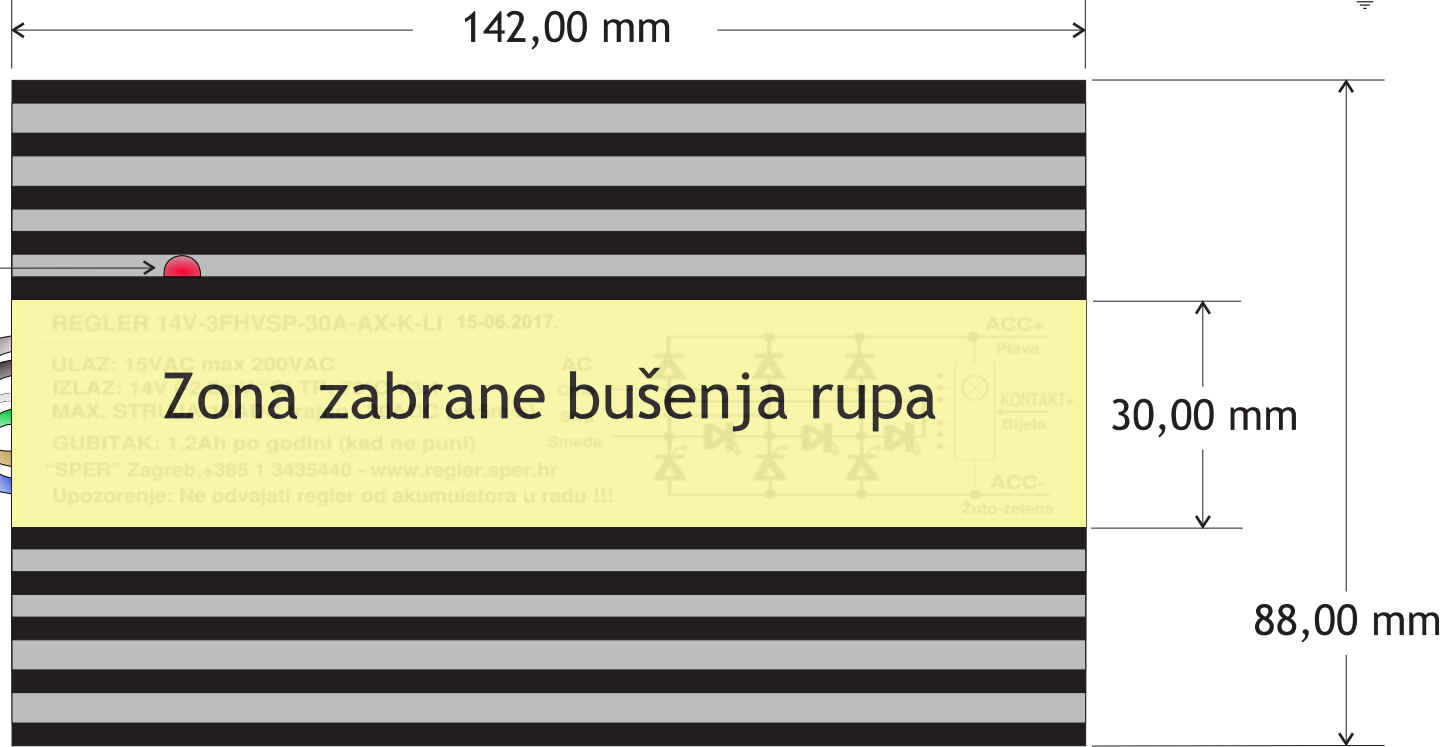
Ulazni AC napon: 15..200VAC (na 260VAC se aktivira zaštita)

Moguće ga je spojiti na 5, 6, 7 i 8 žica umjesto originalnog reglera

Garancija: **5 godina** Cijena: **750,00kn** (10% popusta na više komada)



LED indikator



KABEL PROMJERA 12mm
Dužina: 85cm

visina: **35mm**

M 1:1